



The only TWIN-SPEED Hydraulic Wrench



# STEALTH™ Limited-Clearance Hydraulic Torque Wrench

## The HYTORC Stealth™ is the world's fastest limited clearance 2-speed

HYTORC has listened to our customer's requests for a true, all application fit and multifunctional low profile

Only the Stealth can apply [HYTORC Washer™](#) and tension on another [The HYTORC Nut™](#). It is designed

The STEALTH is equipped with a Dual Piston System which provides tremendous bolting speeds and a

**The patented Click-In Hex Link Retain System is an industry first.**

By eliminating the troublesome pins and screws used by other manufacturers to retain a hex link, the ST

### The STEALTH advantage:

Our latest generation of torque/tension compatible low profile bolting machines streamlines and simplifies

### Conventional torque:

The STEALTH is the logical choice for restricted headroom as well as applications with non standard or

### Stretch-to-load compatibility:

The STEALTH stands [as the only low profile machine capable of tensioning \[The HYTORC Nut™\]\(#\)](#), [mechanical](#)

[The HYTORC Nut™](#)

[The HYTORC Nut™](#)

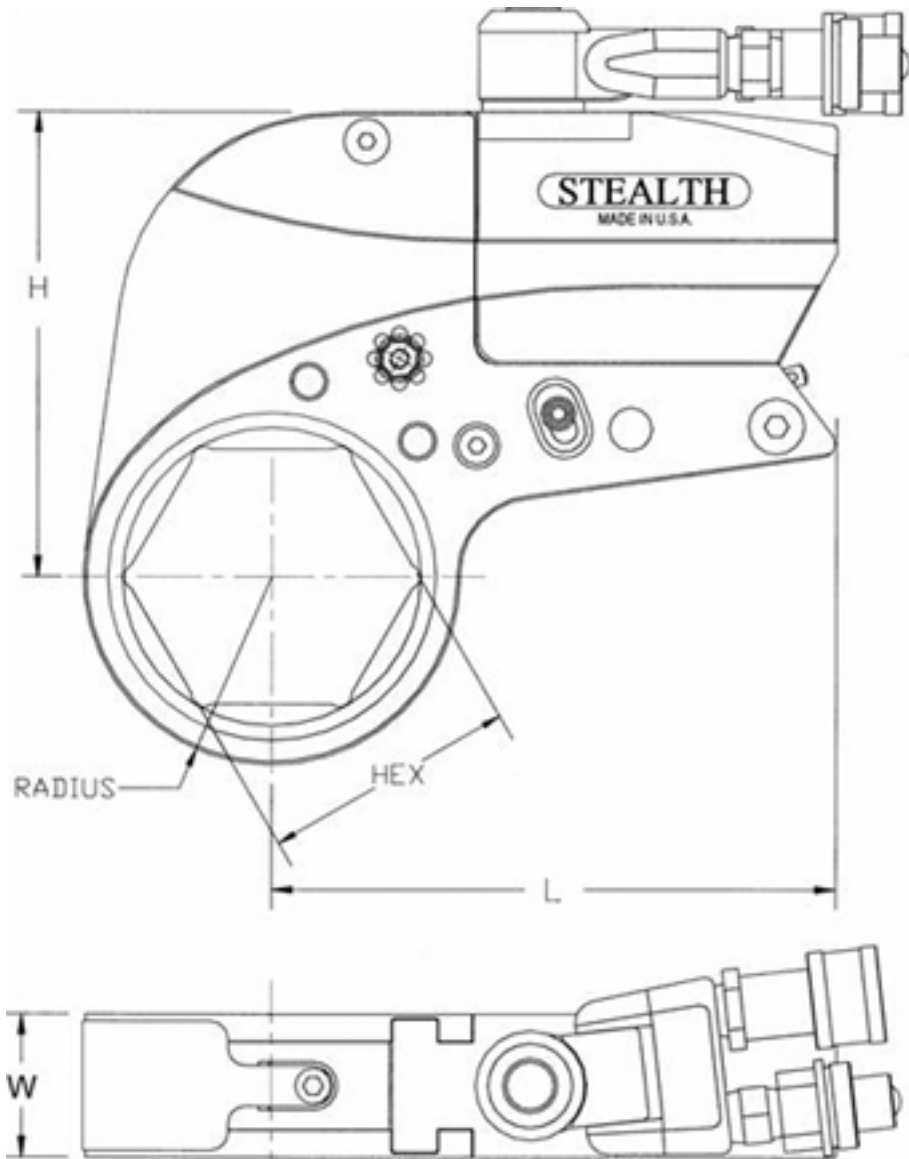
### STEALTH™ Features

- Dual Piston System for Fast Speeds
- Anti Backlash Pawl
- All Application-Fit
- 6 & 12 Point Ratchet
- Ergonomic Design

- Highest Run-Down Speed
- 360° x 220°, Flat-Fit Swivel
- Pin & Screw-Free Click-In Cassettes
- Light-Weight, Super-Alloy Use
- Upgradeable for Stretch-to-Load!

## **STEALTH Specifications**

STEALTH Series	STEALTH-2	STEALTH-4	STEALTH-8	STEALTH-16
min Torque [N.m]	377	819	1 625	2 534
Max Torque [N.m]	2 534	5 450	10 823	19 300
min Torque [ft.lbs]	278	604	1 199	2 100
Max Torque [ft.lbs]	1 869	4 020	7 984	14 200
Width W [mm]	31,8	42,2	52,8	63,5
Weight [kg]	2,4	5,3	9,3	16,6
Length L [mm]	140,5	167,1	203,2	237,0
Height H [mm]	106,9	137,9	162,6	201,7



## Standard Sizes of HEXAGONAL RATCHET LINKS for STEALTH

Hex	Links	Blank #	#1	
ST-2	AF [MM]	27MM	32MM	36MM
AF [inch]	1"1/8	1"1/4	1"7/16	1"5/8
Radius [mm]	25,5	27,5	30,1	32,9
ST-4	AF [MM]	36MM	41MM	46MM
AF [inch]	1"7/16	1"5/8	1"13/16	2"

Radius [mm]	33,0	35,8	38,6	41,4
ST-8	AF [MM]	50MM	55MM	60MM
AF [inch]	2"	2"3/16	2"3/8	2"9/16
Radius [mm]	44,3	47,0	49,8	52,6
ST-14	AF [MM]	70MM	75MM	80MM
AF [inch]	2"3/4	2"15/16	3"1/8	3"3/8
Radius [mm]	58,4	61,3	64,2	67,3
ST-22	AF [MM]	75MM	80MM	90MM
AF [inch]	2"15/16	3"1/8	3"1/2	3"7/8
Radius [mm]	65,7	68,6	74,4	80,1
ST-36	AF [MM]	90MM	100MM	110MM
AF [inch]	3"1/2	3"7/8	4"1/4	4"5/8
Radius [mm]	77,8	83,6	89,4	95,2